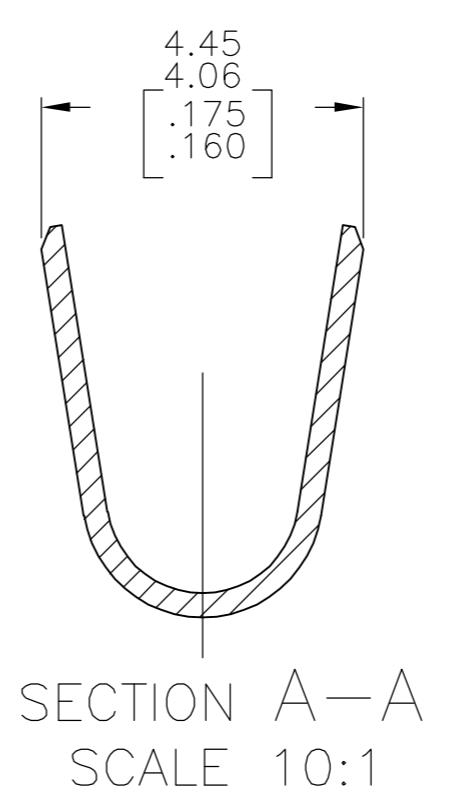
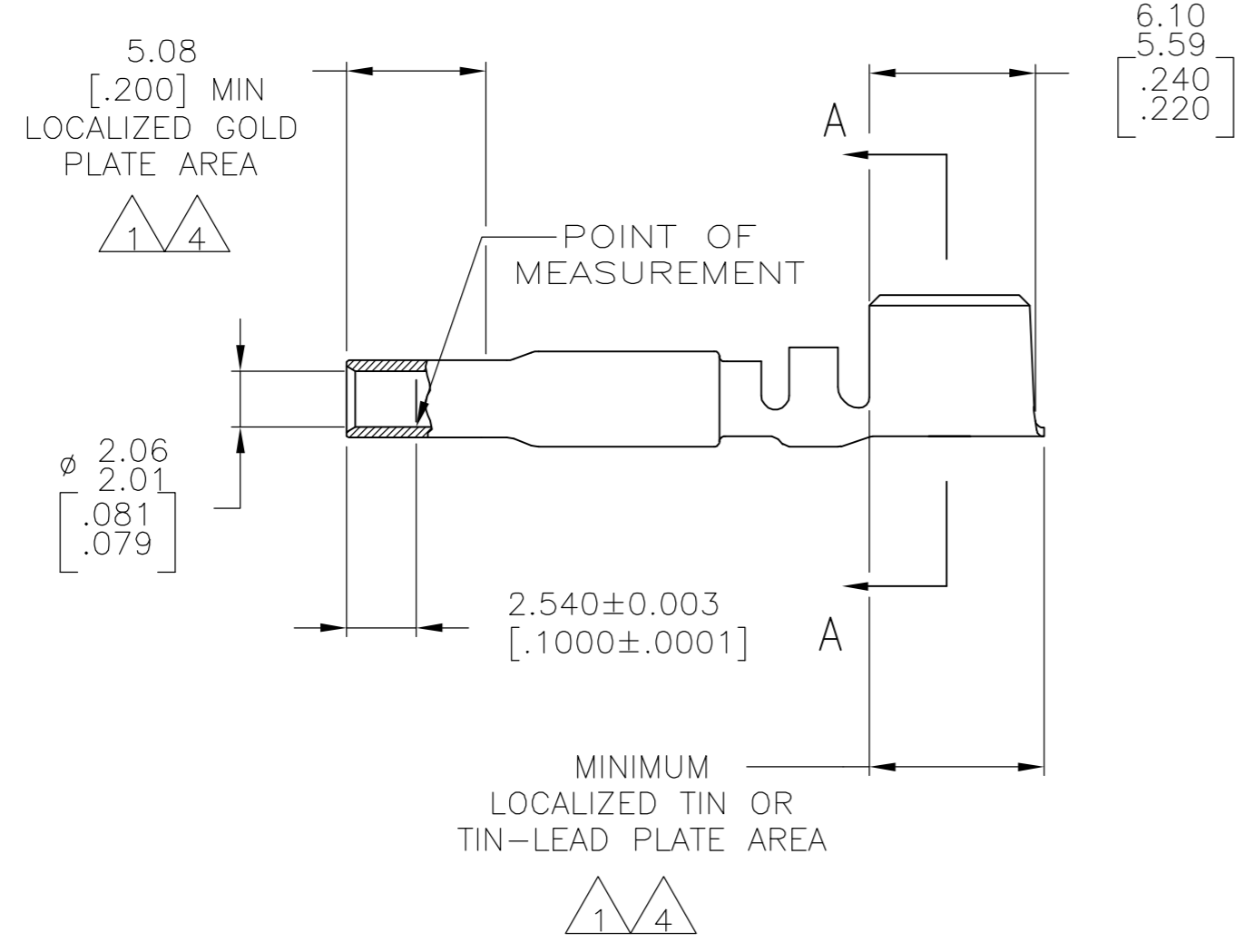
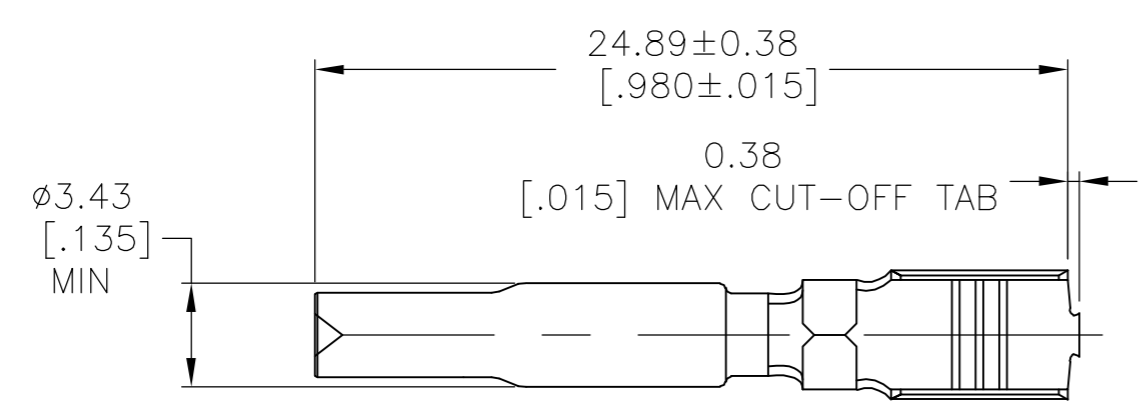


THIS DRAWING IS UNPUBLISHED. RELEASED FOR PUBLICATION
 © COPYRIGHT BY TYCO ELECTRONICS CORPORATION. ALL RIGHTS RESERVED.

LOC	DIST	REVISIONS			
P	LTR	DESCRIPTION	DATE	DWN	APVD
CM	00	E	EC 063B 0215 05	22SEP05	BSV RCJ



- 1. 0.00076[.000030] MIN GOLD AT POINT OF MEASUREMENT IN THE LOCALIZED GOLD PLATE AREA, 0.00127[.000050] MIN TIN-LEAD IN TIN-LEAD PLATE AREA, 0.00127[.000050] MIN NICKEL UNDERPLATE ON ENTIRE CONTACT.
- 2. WIRE RANGE: 3-6mm² [12-10 AWG].
- 3. DIMENSIONS IN BRACKETS ARE IN INCHES.
- 4. 0.00076[.000030] MIN GOLD AT POINT OF MEASUREMENT IN THE LOCALIZED GOLD PLATE AREA, 0.00127[.000050] MIN TIN IN TIN PLATE AREA, 0.00127[.000050] MIN NICKEL UNDERPLATE ON ENTIRE CONTACT.
- 5. THIS CONTACT HAS NO INSULATION BARREL.

FINISH	MATERIAL	PART NUMBER
GOLD Δ	0.30 [.012] PH BRZ	1-770247-0
GOLD Δ	0.30 [.012] PH BRZ	770247-4
PRE-TIN	0.30 [.012] PH BRZ	770247-3

THIS DRAWING IS A CONTROLLED DOCUMENT.		DWN K. WHITAKER 02APR04	Tyco Electronics Corporation Harrisburg, PA 17105-3608	
DIMENSIONS: mm [INCHES]		CHK C.JONES 02APR04	NAME SOCKET, LOOSE PIECE, UNIVERSAL MATE-N-LOK(TM) II	
TOLERANCES UNLESS OTHERWISE SPECIFIED:		APVD C.JONES 02APR04	SIZE A2	CAGE CODE 00779
0 PLC ± -		PRODUCT SPEC	DRAWING NO C=770247	RESTRICTED TO
1 PLC ± -		APPLICATION SPEC	SCALE 4:1	SHEET 1 of 1
2 PLC ± -		WEIGHT	REV E	
3 PLC ± -		CUSTOMER DRAWING		
4 PLC ± -				
ANGLES ± -				
FINISH				

METRIC

770247